

Crocheted Headband

in Drops Nepal



DROPS DESIGN[®]
www.garnstudio.com

By special permission. Copyright DROPS DESIGN A/S. DROPS pattern: ne-286

'Brick by Brick' Crocheted headband in DROPS Nepal with texture pattern
By special permission. Copyright DROPS DESIGN A/S. DROPS pattern: ne-286

SIZING INFORMATION:

Pattern Sizes: S/M - M/L

Head circumference: approx. 54/56 - 56/58 cm

Finished item height: approx. 12 cm

MATERIALS:

- **Drops Nepal** (65% Wool, 35% Alpaca Aran weight yarn, available in 50g balls):
100-100 g colour no. 8911 'Sea Blue'
- **A 4mm crochet hook** (or hook size needed to achieve the following tension:
17 treble crochets in width and 10 rows vertically = 10 x 10 cm.)



PATTERN INFORMATION:

CROCHET INFORMATION:

Begin every treble crochet row with 4 chain stitches – replaces first treble crochet.

Begin every double crochet row with 1 chain stitch – does NOT replace first double crochet.

PATTERN:

See diagrams A.1 to A.3.

INSTRUCTIONS:

Headband is worked back and forth and sewn together mid back.

Work 26 chain stitches (including 4 chain stitches to turn with) on a 4mm crochet hook with Drops Nepal.

Work 1 treble crochet in 5th chain stitch from hook (= 2 treble crochets) – read CROCHET INFORMATION. Work 1 treble crochet in each of the next 21 chain stitches = 23 treble crochets.

Work A.1 (= 4 stitches), work A.2 (= 3 stitches) until 4 stitches remain (= 5 times in width) and finish with A.3 (= 4 stitches).
REMEMBER THE CROCHET TENSION!

Continue pattern like this until piece measures 49-51 cm (or to desired length, approx. 1 cm remains). Adjust to finish with 1 row with double crochets and chain stitches.

Work next row as follows:

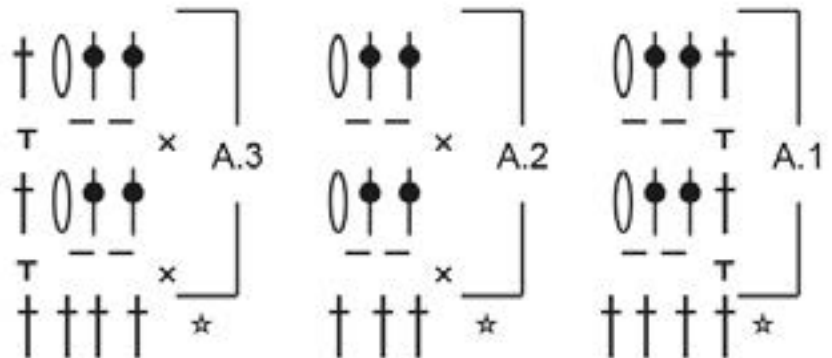
Work 4 chain stitches (replace first treble crochet), work 3 treble crochets around every chain space and finish with 1 treble crochet in last double crochet. Fasten off.

Piece measures approx. 50-52 cm.

Sew edges together in outer loops of edge stitches.

DIAGRAMS:

- † = treble crochet in stitch
- = treble crochet around chain stitch
- = work 1 treble crochet in double crochet before the 2 chain stitches on previous row
- T = double crochet in stitch
- × = double crochet between 2 treble crochets
- = chain stitch
- ☆ = first row has already been worked, it only shows how next row should be worked in/between stitches



By special permission. Copyright DROPS DESIGN A/S. DROPS pattern: ne-286