

Crocheted Pineapple Top

in Cascade Ultra Pima



Pattern from www.cascadeyarns.com

Designed by Simona Merchant-Dest © 2015 Cascade Yarns - All Rights Reserved



Ultra Pima Crochet Pineapple Top

Designed by Simona Merchant-Dest

SIZES:

XS (S, M, L, XL, 2XL, 3XL, 4XL)

FINISHED MEASUREMENTS

Bust:

32 (36, 40, 44, 48, 52, 56, 60)"/ 81.5 (91.5, 101.5, 112, 122, 132, 142, 152.5) cm.
Sample shown is a size S (36").

Total length:

19½ (20¾, 20¾, 20¾, 20¾, 21¾, 21.¾, 21¾)"/49.5(52.5, 52.5, 52.5, 52.5, 55, 55, 55) cm.

MATERIALS

Yarn:

5 (5, 6, 6, 7, 7, 8, 8) balls of **Cascade Yarns, UltraPima** (100% pima cotton; 220 yds [200 m]/3.5 oz [100 g]) in color #3745,.

Hook:

F/5 (3.75 mm) or hook needed to obtain gauge.

Notions:

Spray bottle with water and straight pins for blocking; tapestry needle for weaving in ends; 2 removable markers; five ½" (12 mm) buttons.

GAUGE

2 10-st Rep and 1 10-row Rep = 4¼" x 3 5/8" (11 x 9 cm) in Pineapple Stitch Pattern.

8 sh and 20 rows = 4" x 4.5" (10 x 10 cm) in Shell Stitch Pattern.

20 sts and 16 rows = 4" x 4" (10 x 10 cm) in hdc.

NOTES

- Body and sleeves are worked sideways in one piece beginning from the center back/front to cuffs.
- The 2 pieces are seamed together at center back and front leaving neck opening unsewn.
- Waist band is worked along lower edge downward.

Pattern from www.cascadeyarns.com

Designed by Simona Merchant-Dest © 2015 Cascade Yarns - All Rights Reserved

SPECIAL STITCHES**Foundation Single Crochet (fsc)**

Slip knot on hook, ch2, insert in 2nd ch from hook, pull up lp, yo, draw through 1 lp (the "ch"), yo, draw through 2 lps (the "sc"), * insert hook under 2 lps of the "ch" st of last st and pull up lp, yo, and draw through 1 lp, yo and draw through 2 lps; repeat from * for length of foundation.

Modified Double Crochet (mdc)

* (Yo, insert hook into a stitch, yo and draw up a lp) twice – 5 lps on hook, yo and draw yarn through 3 lps, yo and draw through rem 2 lps; rep from*.

Half Double Crochet 2 Together (hdc2tog)

(Yo, insert hook in next stitch, yo and pull up lp) 2 times, yo and draw through all lps on hook – 1 st dec'd.

STITCH PATTERNS**Pineapple Stitch Pattern (psp)**

(Multiple of 10 sts plus 1)

See Pineapple Stitch Pattern stitch diagram AT DIRECTION for assistance.

Fsc multiple of 10 plus 1.

Note that
this pattern
is written in
US crochet
terms!

Row 1(RS): Ch 1, sc in first st, * ch 2, sk 4 sts, ([dc, ch 1] 4 times, dc) in next st, ch2, sk 4 sts, sc in next st; rep from * across, turn.

Row 2: Ch 3 (count as dc here and throughout), mdc in first st, * ch 1, sk (ch-2 sp, dc), (sc in next ch-1 sp, ch 3) 3 times, sc in next ch-1 sp, ch 1, sk (dc, ch-2 sp), ** (mdc, ch 1, mdc) in next sc; rep from * across ending last rep at **; (mdc, dc) in last sc; turn.

Row 3: Ch 3, mdc in first dc, * ch 2, sk (mdc, ch-1 sp, sc), (sc in next ch-3 sp, ch 3) twice, sc in next ch-3 sp, ch2, sk (sc, ch-1 sp, mdc), ** (mdc, ch 1, mdc) in next ch-1 sp; rep from * across ending last rep at **; (mdc, dc) in last dc.

Row 4: Ch 3, mdc in first dc, * ch 3, sk (mdc, ch-2 sp, sc), sc in next ch-3 sp, ch 3, sc in next ch-3 sp, ch3, sk (sc, ch-2 sp, mdc), ** (mdc, ch 1, mdc) in next ch-1 sp; rep from * across ending last rep at **; (mdc, dc) in last dc.

Row 5: Ch 3, mdc in first dc, * ch 4, sk (mdc, ch-3 sp, sc), sc in next ch-3 sp, ch 4, sk (sc, ch-3 sp, mdc), ** (mdc, ch 1, mdc) in next ch-1 sp; rep from * across ending last rep at **; (mdc, dc) in last dc.

Row 6: Ch 3, mdc in first dc, * ch 2, sk (mdc, ch-4 sp), ([dc, ch 1] 4 times, dc) in next sc, ch 2, sk (ch-4 sp, mdc), ** (mdc, ch 1, mdc) in next ch-1 sp; rep from * across ending last rep at **; (mdc, dc) in last dc.

Rep Rows 2 – 6 for patt.

Pattern from www.cascadeyarns.com

Designed by Simona Merchant-Dest © 2015 Cascade Yarns - All Rights Reserved

Border Stitch Pattern (bsp)

(Multiple of 3 sts +2)

Fsc multiple of 3 sts plus 2.

Row 1(WS): Ch 2 (counts as hdc), hdc in next and each st across, turn.

Row 2: Ch 3 (counts as dc), * sk next st, 3 dc in next st, sk next st; rep from * across, dc in last st , turn.

Row 3: Ch 2, hdc in next and each st across, turn.

Shell Stitch Pattern (shsp)

(Multiple of 3 sts +1)

Fsc multiple of 3 sts plus 1.

Row 1(RS): Ch 1, sc in next and each st across, turn.

Row 2: Ch 1, sc in first st, * ch 2, sk next 2 sts, sc in next st; rep from * across, turn.

Row 3: Ch 2 (count as hdc), 3 hdc in next and each ch-2 sp across, hdc, turn.

Row 4: Ch 1, sc in first st, *ch 2, sk (3 hdc), sc into next sp; rep from * across, turn.

Rep Rows 3-4 for patt.

BODY – LEFT SIDE

Fsc 151 (161, 161, 161, 161, 171, 171, 171) sts.

Row 1(RS): Work row 1 of psp $\frac{3}{4}$ 15 (16, 16, 16, 16, 17, 17, 17) sh.

Work Rows 2 - 6 of psp 4 (5, 5, 6, 6, 7, 7, 8) times.

Sizes XS ($\frac{3}{4}$, M, $\frac{3}{4}$, XL, $\frac{3}{4}$, 3XL, $\frac{3}{4}$) only

Work Row 2 once more.

Next Row: Ch 3, mdc in first dc, *ch 2, sk (mdc, ch-1 sp, sc), (sc in next ch-3 sp, ch 1) twice, sc in next ch-3 sp, ch2, sk (sc, ch-1 sp, mdc), ^^ (mdc, ch 1, mdc) in next ch-1 sp; rep from * 3 more times, ** ch 2, sk (mdc, ch-1 sp, sc), (sc in next ch-3 sp, ch 3) twice, sc in next ch-3 sp, ch2, sk (sc, ch-1 sp, mdc), ** (mdc, ch 1, mdc) in next ch-1 sp; rep btwn ** and ** 6 (--, 7, --, 7, -, 8, --) times more, work sts between * and * 4 times ending last rep at ^^; (mdc, dc) in last dc. Fasten off, turn.

Mark ch1-sp of 4th (mdc, ch-1, mdc) shell from each side.

Ready to work 4th row of psp, join yarn with st st into marked ch1-sp.

Pattern from www.cascadeyarns.com

Designed by Simona Merchant-Dest © 2015 Cascade Yarns - All Rights Reserved

Work Rows 4-6 of psp btwn st markers.

Sizes $\frac{3}{4}$ (S, $\frac{3}{4}$, L, $\frac{3}{4}$, 2XL, $\frac{3}{4}$, 4XL) only

Work Rows 2-5 once more. Fasten off, turn.

Mark ch1-sp of 4th (mdc, ch-1, mdc) shell from each side.

Ready to work 6th row of psp, join yarn with st st into marked c

Work Row 6 of psp btwn st markers.

All sizes:

Work Rows 2-6 2 (3, 3, 3, 3, 3, 3, 3) times.

Work Rows 2-5 once more.

SLEEVE EDGING

Size XS only:

Row 1: Work Row 1 of bsp– 71 sts.

Sizes $\frac{3}{4}$ (S, M, L, XL, $\frac{3}{4}$, $\frac{3}{4}$, $\frac{3}{4}$) only:

Row 1: Work Row 1 of bsp to last st, 2 hdc in last st– 81 sts.

Sizes $\frac{3}{4}$ ($\frac{3}{4}$, $\frac{3}{4}$, $\frac{3}{4}$, $\frac{3}{4}$, 2XL, 3XL, 4XL) only:

Row 1: Work Row 1 of bsp to last 2 sts, hdc2tog– 90 sts.

All sizes:

Work Rows 2-3 of bsp. Fasten off.

CENTER FRONT AND BACK EDGING

With WS facing, join yarn at fsc edge right corner.

Size XS only:

Row 1: Work Row 1 of bsp to last st, 2 hdc in last st– 152 sts.

Pattern from www.cascadeyarns.com

Designed by Simona Merchant-Dest © 2015 Cascade Yarns - All Rights Reserved

Sizes ¾ (*S, M, L, XL, ¾, ¾, ¾*) **only:**

Row 1: Work Row 1 of bsp – 161 sts.

Sizes ¾ (*¾, ¾, ¾, ¾, 2XL, 3XL, 4XL*) **only:**

Row 1: Work Row 1 of bsp to last 2 sts, hdc2tog– 170 sts.

All sizes:

Work Rows 2-3 of bsp. Fasten off.

BODY – RIGHT SIDE

Work as of Left Side.

FINISHING

Blocking

Pin Body to schematic measurements. Spritz with water and allow to dry.

Seaming

Sew center front and back edges together approx 10" for back seam and 9" for front seam or to desired neck depths (see schematics).

With rights sides of Body together, sew side and underarm seams.

LOWER EDGE:

With front RS facing, join yarn with sl st at 2 sts before right seam. Beg shsp.

Row 1(RS): Ch 1, 175 (199, 223, 247, 271, 295, 319, 343) sc evenly across body's lower edge, ending 4 sts after right seam behind the front edge sts, turn– 175 (199, 223, 247, 271, 295, 319, 343) sc.

Work Rows 2-4 of shsp.

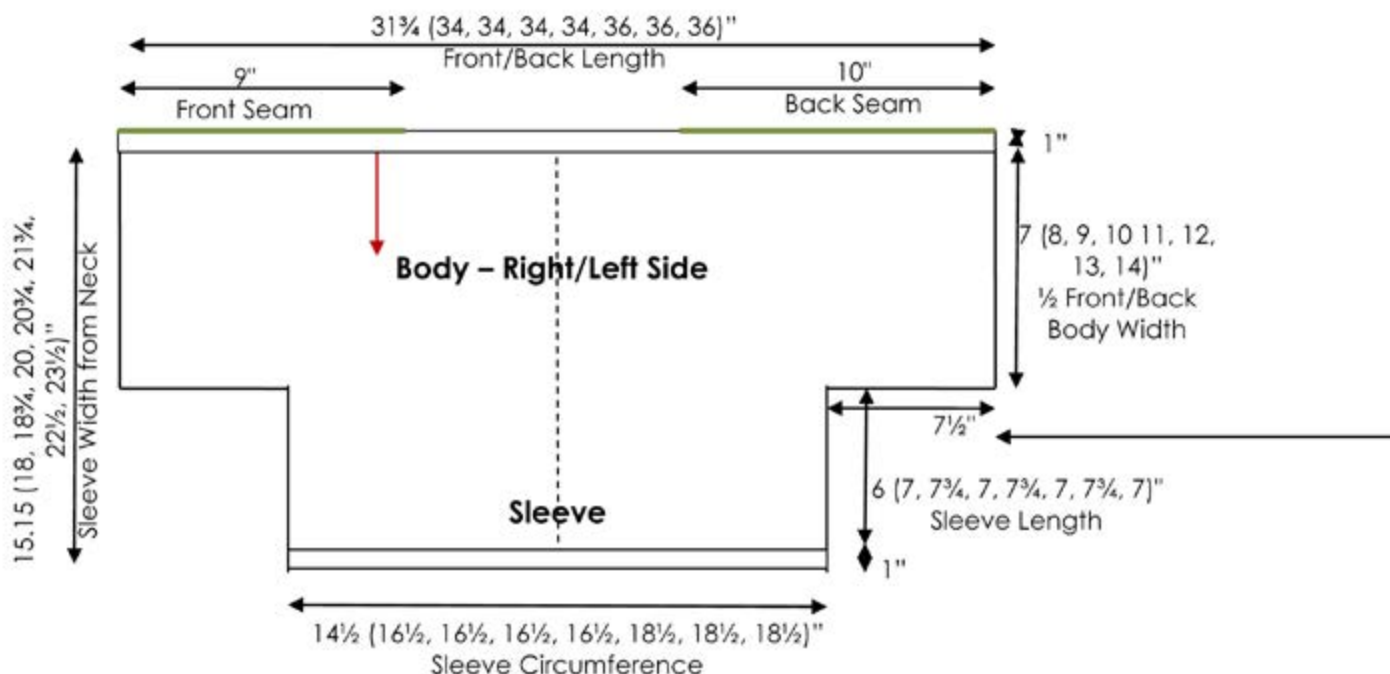
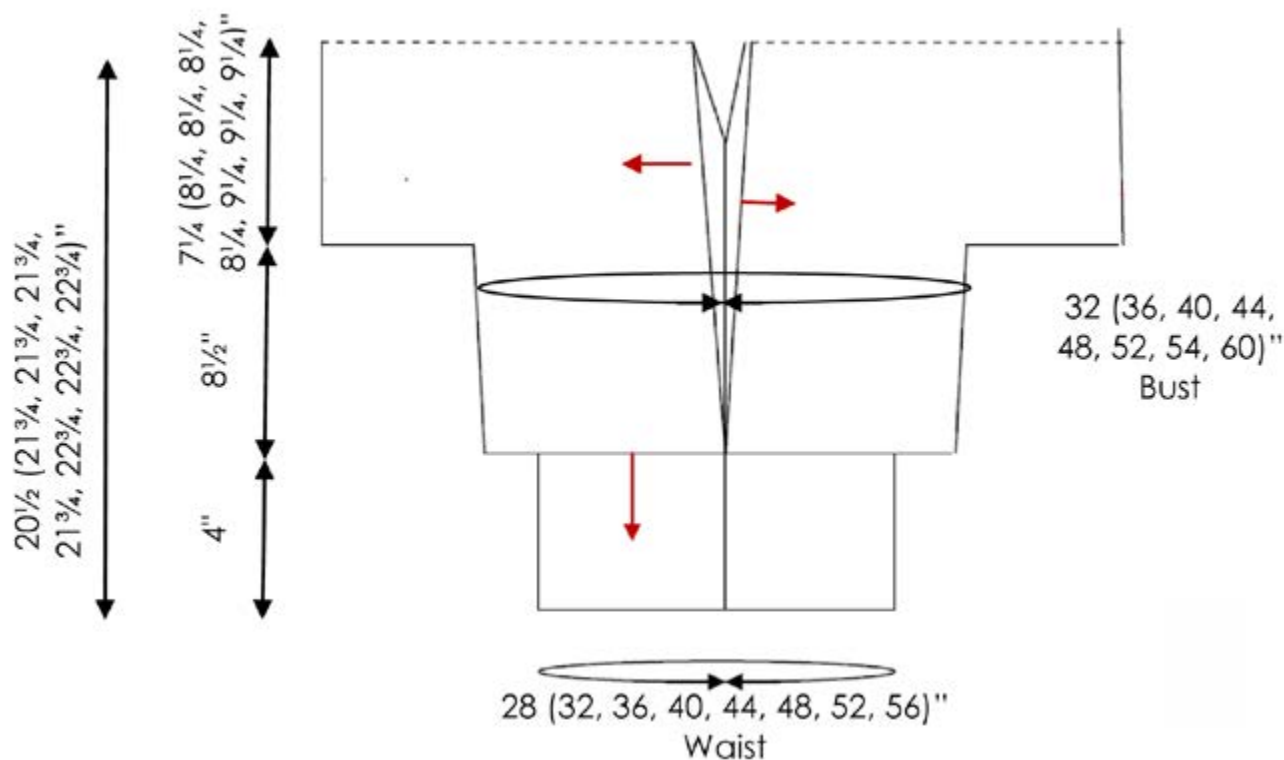
Rep Rows 3-4 eight more times.

Fasten off.

Weave in all loose end. Block if desired.

Pattern from www.cascadeyarns.com

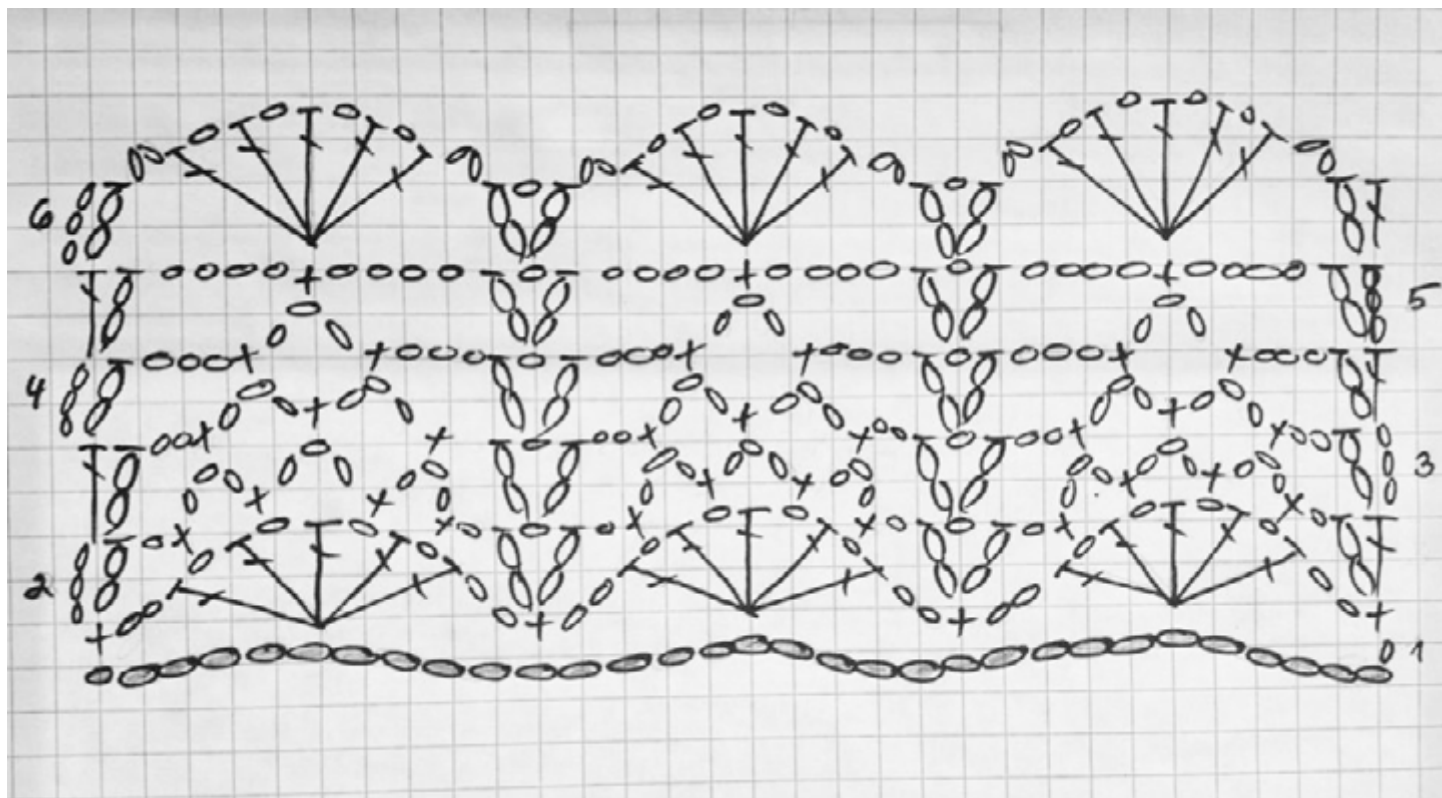
Designed by Simona Merchant-Dest © 2015 Cascade Yarns - All Rights Reserved



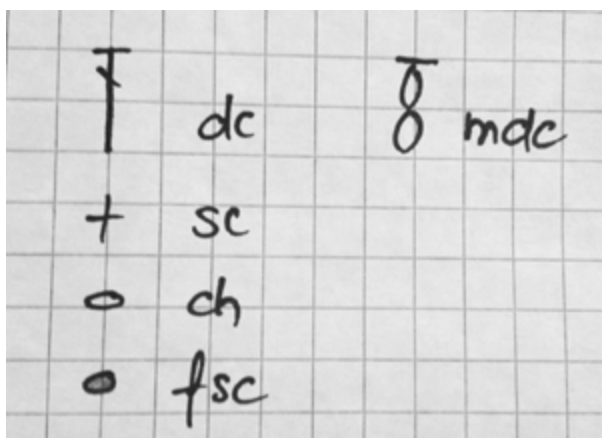
Pattern from www.cascadeyarns.com

Designed by Simona Merchant-Dest © 2015 Cascade Yarns - All Rights Reserved

Pineapple Chart



Pineapple Chart Key



Pattern from www.cascadeyarns.com

Designed by Simona Merchant-Dest © 2015 Cascade Yarns - All Rights Reserved